

FIBRON 1/2 INCH #8 JIC HOSE FITTING PHOSPHOR BRONZE



SYNERGY
INNOVATIVE DIVING EQUIPMENT TRADING LLC

REPAIRING • ENGINEERING • INNOVATION



Cortland 1/2 inch #8 JIC Hose Fitting Swagable Phosphor - Bronze

The Fibroline (FBL series) and Fibrolite (FLT series) pneumo, gas and hot water hoses have an extruded polyurethane final finish (Fibroline with a thicker cover for greater robustness). These are typically used in surface demand / air dive applications.

APPLICATIONS:

- #8 JIC Hose fitting for 1/2 inch I.D. Cortland Fibrolite and
- Fibroflex Umbilical Hoses

Note: Crimp down diameters (CDD) are for Cortland phosphor bronze hose end fittings for the Cortland ranges of diving hoses.

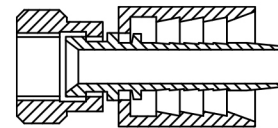
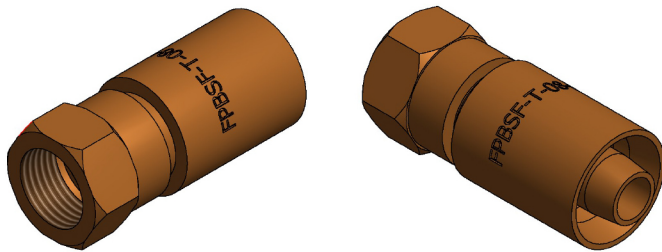
SPECIFICATIONS:

Hose Details:

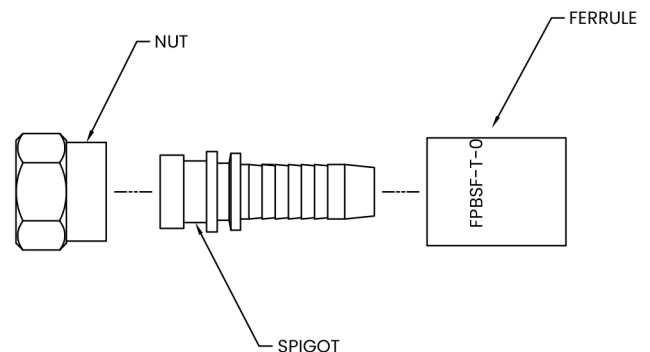
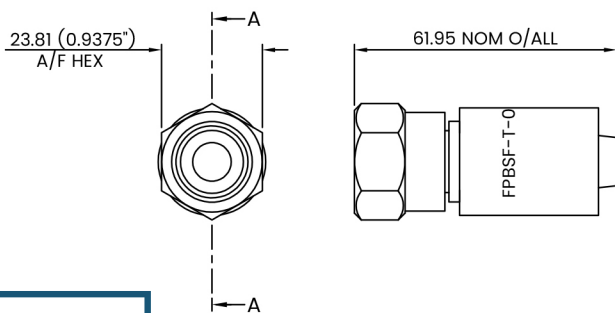
- Body Material: Swagable Phosphor - Bronze
- Bore: 1/2 inch
- Hose Type: Fibrolite and Fibroflex
- Hose Fitting: #8 JIC
- Part Number: FLT08R*
- O.D.: 18.50 mm
- Max Working Pressure: 400 PSI

Ferrule O.D.:

- Pre Crimp: 25.40 mm
- Post Crimp: 20.00 CDD ± 0.20 mm



SECTION A-A



MATERIAL = PHOSPHOR BRONZE BS2874 / BS EN 12163 PB102.



Call Us

0044 795 196 6260
00971 50 564 8178

Email Us

ram@synergiequipment.com
info@synergiequipment.com

Visit Us

Al Qusais Industrial Area 1, Dubai.
www.synergiequipment.com